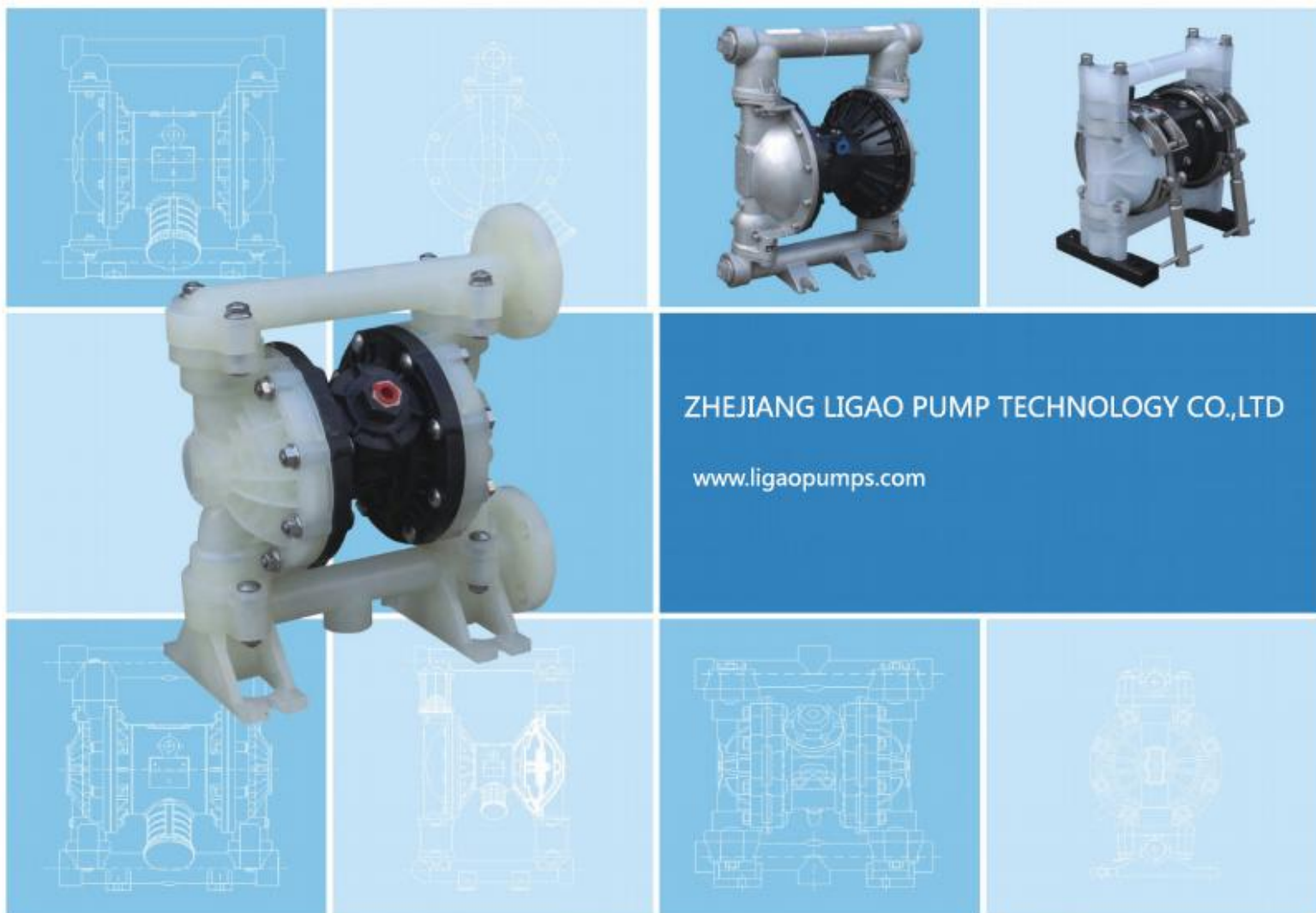




LIGAO

DIAPHRAGM AIR PUMP SELECTION GUIDE



Advantages

1. The lubrication of air pressure chamber can be omitted, and it adopts patented air valve, with excellent abrasion resistance.
2. Air pressure is anodized, and covered by epoxy coating, with good corrosion, and suitable for high pollution situation.
3. All parts can be replaced in the situation of not opening the liquid chamber.
4. The material of central axis is stainless steel, with good anti-corrosion.
5. The material of aluminum is anodized.
6. Low pressure, slowdown and no getting stuck.
7. Special material of valve ball, with perfect craft, and good self-priming ability.
8. The service life of diaphragm is 1/3—1/2 higher than other manufacturer.
9. One reversing valve is suitable for pumps with a variety of specification and easy to maintenance and replace.
10. The side discharge can avoid the corrosion of air valve caused by liquid drop.

Contents

JQ06 Plastic Pump (PP Acetal PVDF)-----	1
JQ10 Plastic Pump (PP Acetal PVDF)-----	2
JQ15 Plastic Pump (PP Acetal PVDF)-----	3
JQ15 Metal Pump (AL SST)-----	4
JQ20 Plastic Pump (PP Acetal PVDF)-----	5
JQ25 Plastic Pump flange connetion (PP Acetal PVDF)-----	6
JQ25 Plastic Pump screw connetion (PP Acetal PVDF)-----	7
JQ25 Metal Pump (AL SST)-----	8
JQ40 Plastic Pump flange connetion (PP PVDF)-----	9
JQ40 Plastic Pump screw connetion (PP PVDF)-----	10
JQ40 Metal Pump (AL Iron SST)-----	11
JQ50 Plastic Pump flange connetion (PP PVDF)-----	12
JQ50 Metal Pump (AL Iron SST)-----	13
JQ50 Long Metal Pump (AL Iron SST)-----	14
JQ50 Metal Pump (AL SST)-----	15
JQ80 Pleastic Pump (PP PVDF)-----	16
JQ80 Metal Pump (AL Iron SST)-----	17

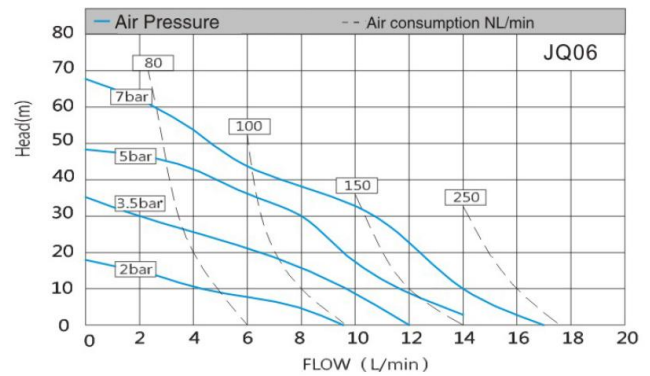
JQ06 Plastic Pump (PP Acetal PVDF)



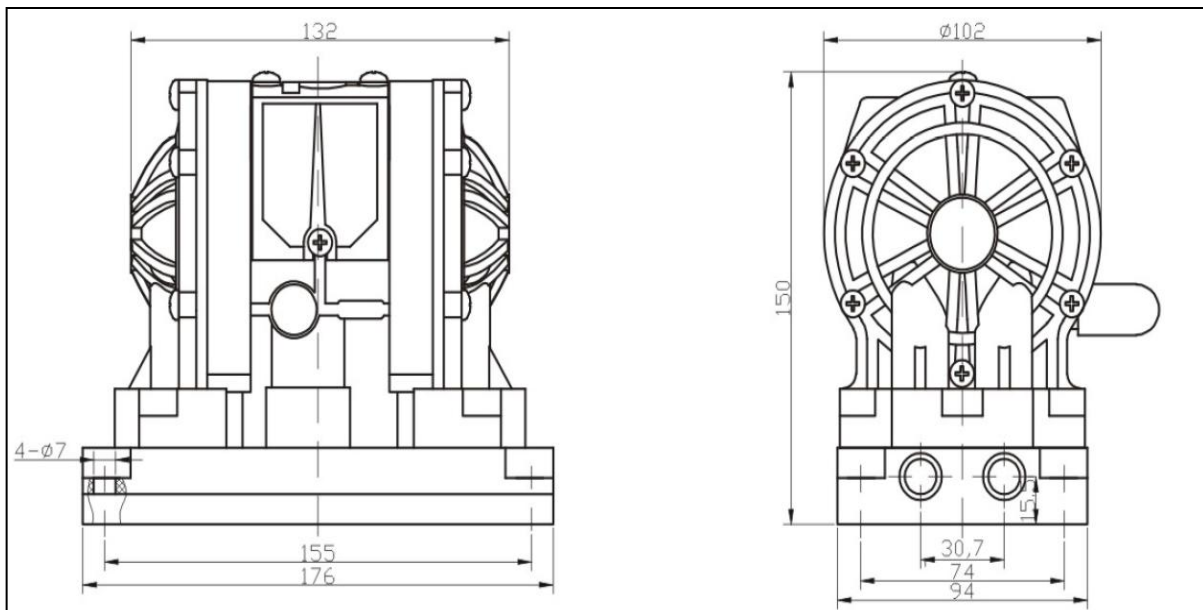
Technical Parameters

max. working pressure	100psi(0.7Mpa.7bar)
max.flow rate	17lpm (1.02m³/h)
max.suction height	3m
max. permiffed grain	0.5mm
air inlet size	1/4in.npt(f)1/4in.bsp(f)
fluid inlet/outlet size	1/4in.npt(f)bsp(f)
weight	Acetal pump 1.1kg

Performance Curve



Installation Size Map



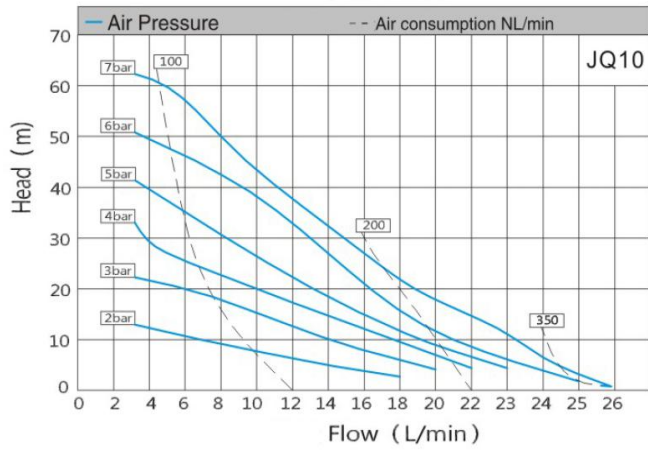
JQ10 Plastic Pump (PP Acetal PVDF)



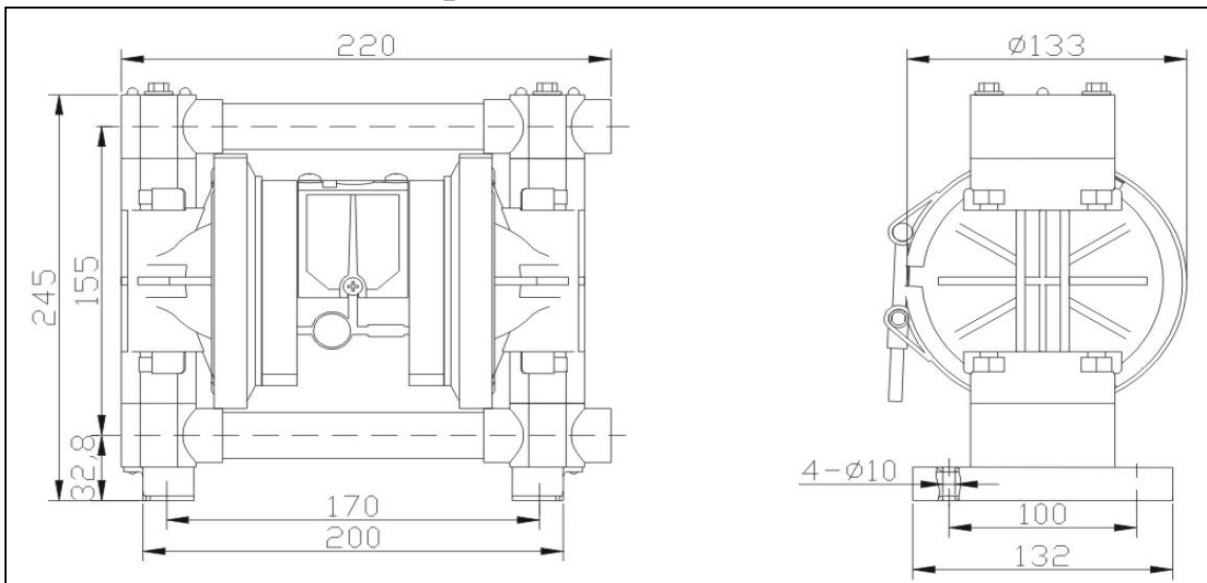
Technical Parameters

max. working pressure	100psi(0.7Mpa,7bar)
max.flow rate	26 lpm (1.56 m³/h)
max.suction height	3m
max. permiffed grain	0.5mm
air inlet size	1/4in.npt(f)1/4in.bsp(f)
fluid inlet/outlet size	1/4in.npt(f)bsp(f)
weight	Acetal pump 1.1kg

Performance Curve



Installation Size Map



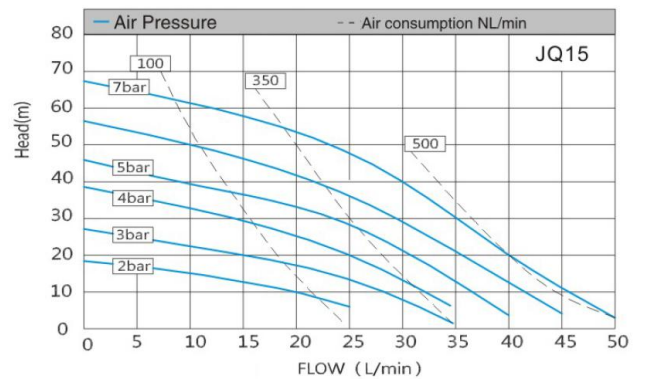
JQ15 Plastic Pump (PP Acetal PVDF)



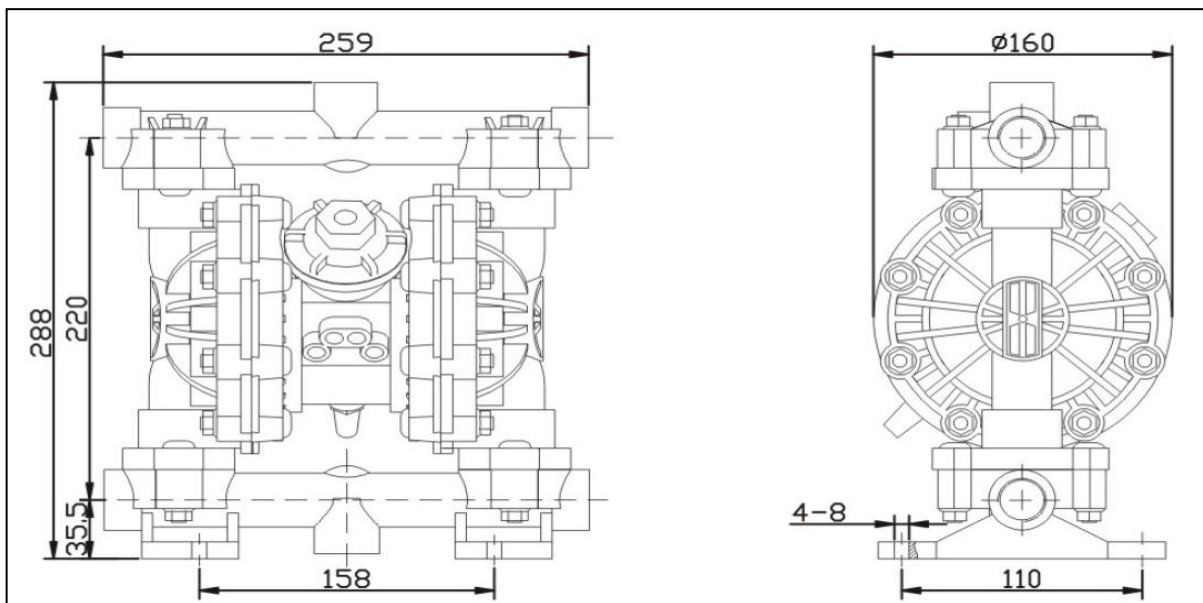
Technical Parameters

max. working pressure	100psi(0.7Mpa.7bar)
max.flow rate	50lpm (3.0 m³/h)
max.suction height	4 m
max. permiffed grain	2.5 mm
air inlet size	1/4 in
fluid inlet/outlet size	1/2 3/4
weight	PVDF Pump 3.7kg PP Pump 4.5 kg

Performance Curve



Installation Size Map



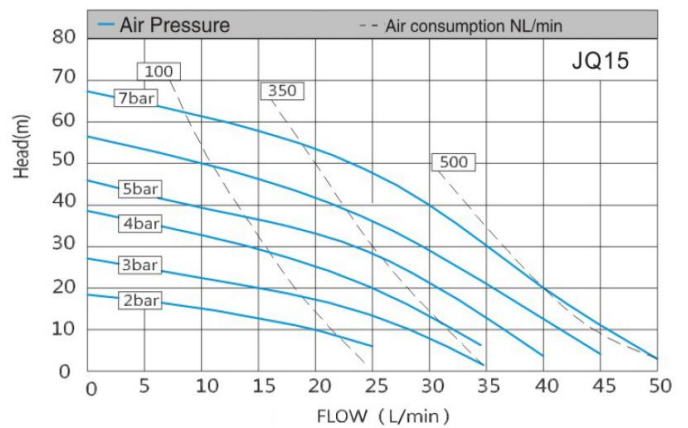
JQ15 Metal Pump (AL SST)



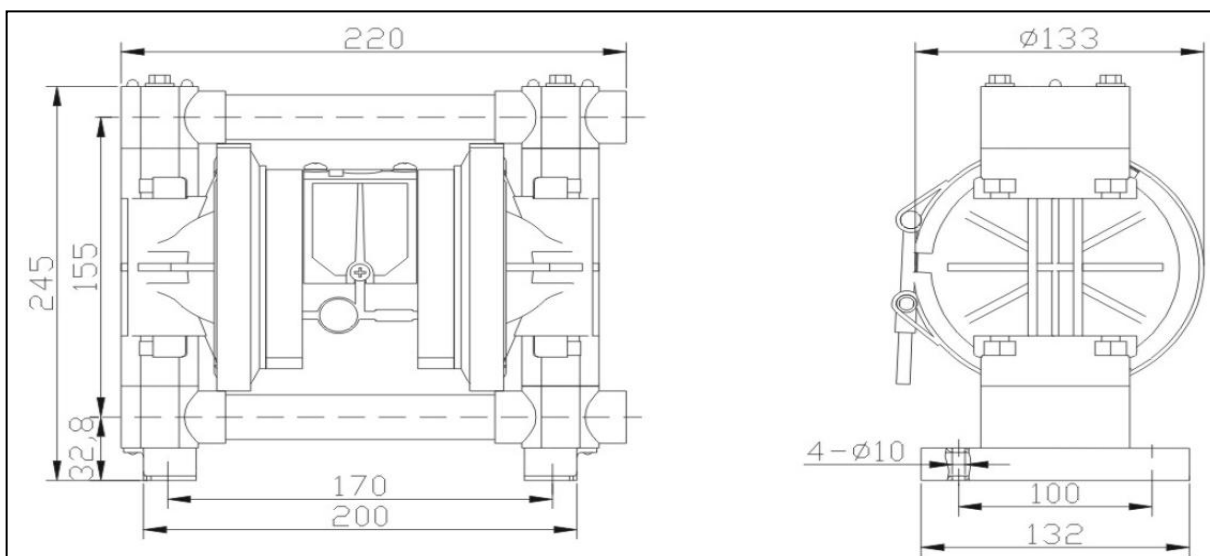
Technical Parameters

max. working pressure	100psi(0.7Mpa.7bar)
max.flow rate	50lpm (3.0 m³/h)
max.suction height	4 m
max. permiffed grain	2.5 mm
air inlet size	1/4 in
fluid inlet/outlet size	1/2 3/4
weight	SS Pump 6.8kg Acetal pump 34.4 kg

Performance Curve



Installation Size Map



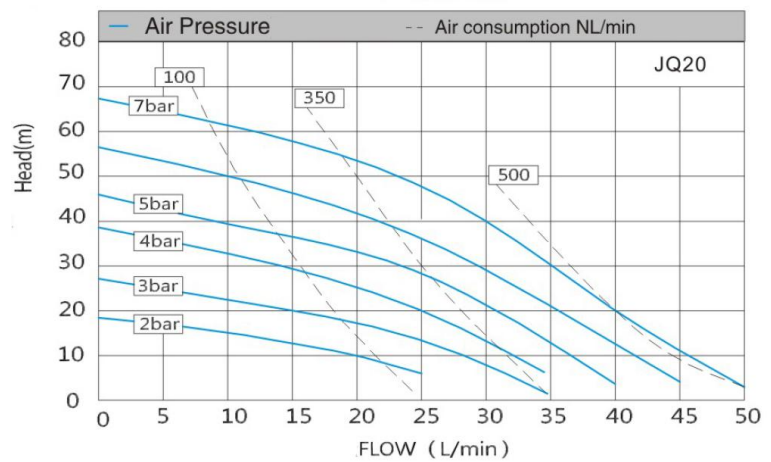
JQ20 Plastic Pump (PP Acetal PVDF)



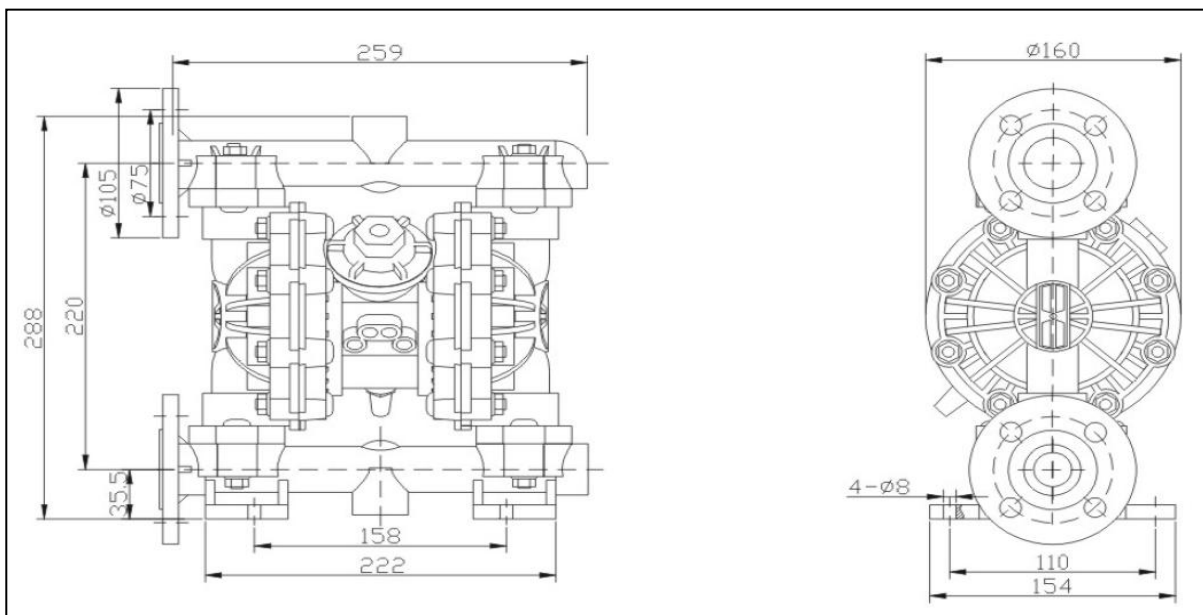
Technical Parameters

max. working pressure	100psi(0.7Mpa.7bar)	
max.flow rate	50lpm (3.0 m ³ /h)	
max.suction height	4 m	
max. permiffed grain	2.5 mm	
air inlet size	1/4 in	
fluid inlet/outlet size	1/2 3/4	
weight	PVDF Pump 3.7kg	PP Pump 2.7 kg

Performance Curve



Installation Size Map



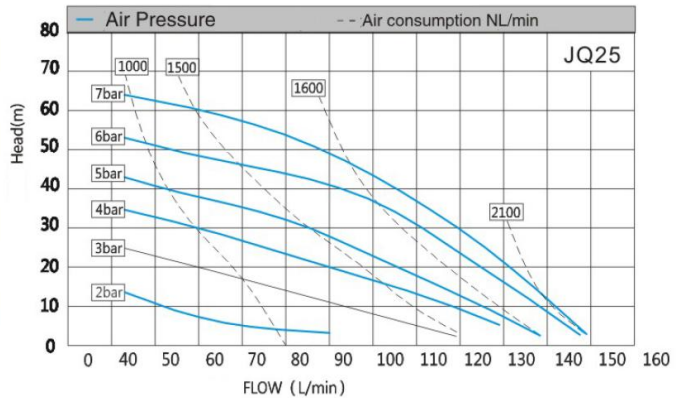
JQ25 Plastic Pump flange connetion (PP Acetal PVDF)



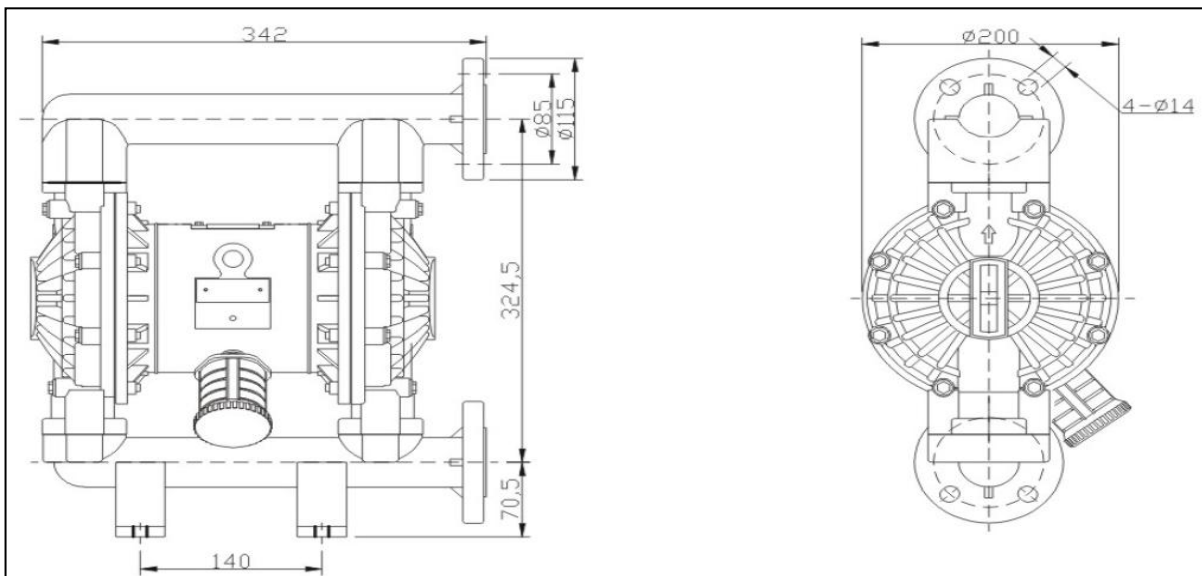
Technical Parameters

max. working pressure	100psi(0.7Mpa.7bar)
max.flow rate	150 lpm (9 m³/h)
max.suction height	5 m
max. permiffed grain	4 mm
air inlet size	1/2 in
fluid inlet/outlet size	1in.npt(f)bsp(f)
weight	Aluminum Pump 8.2kg SS Pump 15 kg

Performance Curve



Installation Size Map



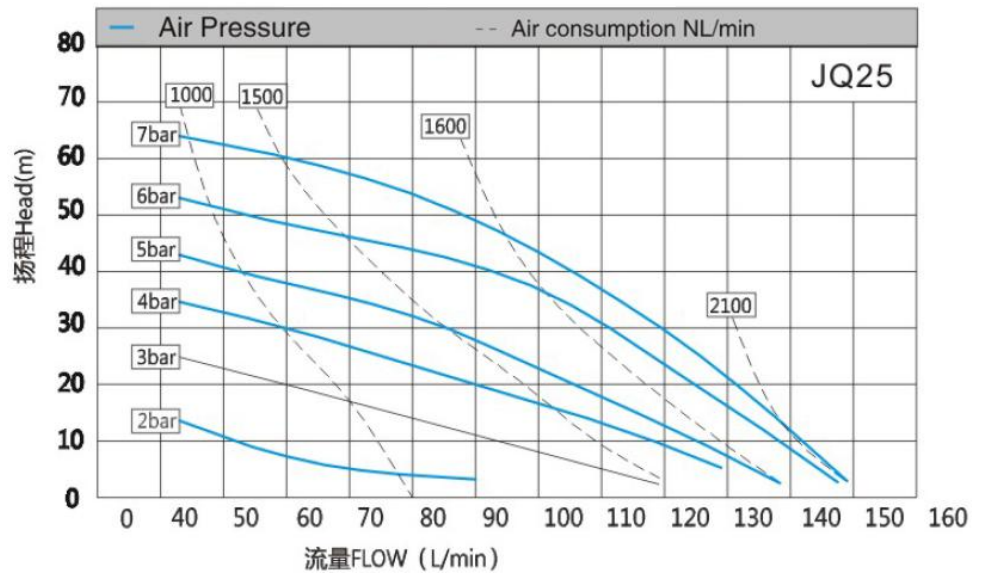
JQ25 Plastic Pump flange connetion (PP Acetal PVDF)



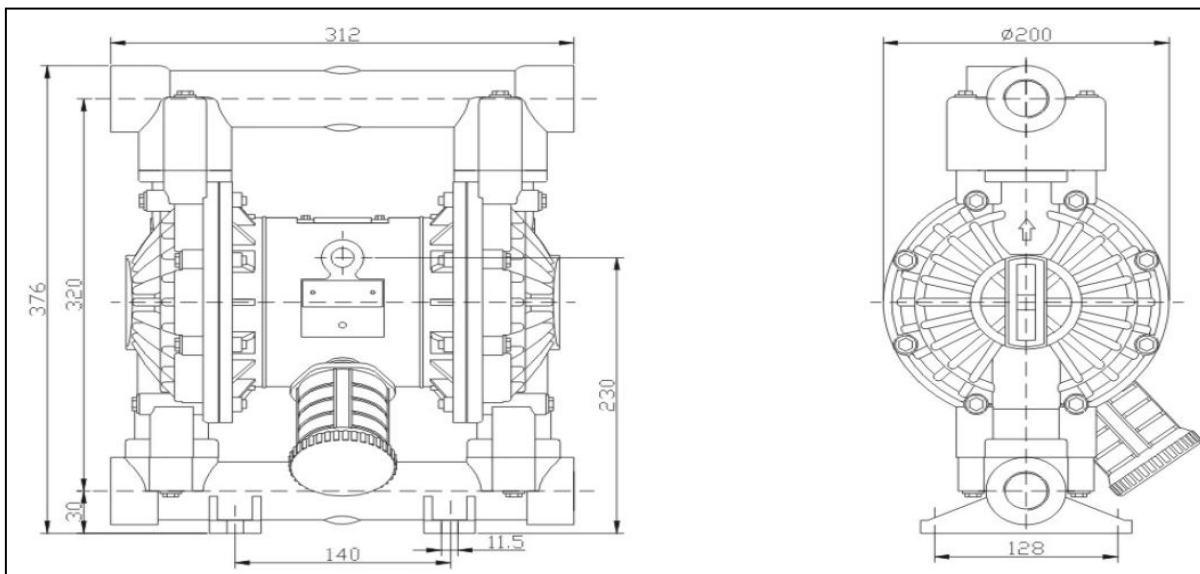
Technical Parameters

max. working pressure	100psi(0.7Mpa.7bar)	
max.flow rate	150lpm (9 m³/h)	
max.suction height	5 m	
max. permiffed grain	4 mm	
air inlet size	1/2 in	
fluid inlet/outlet size	1in	
weight	Aluminum Pump 8.2kg	SS Pump 15 kg

Performance Curve



Installation Size Map



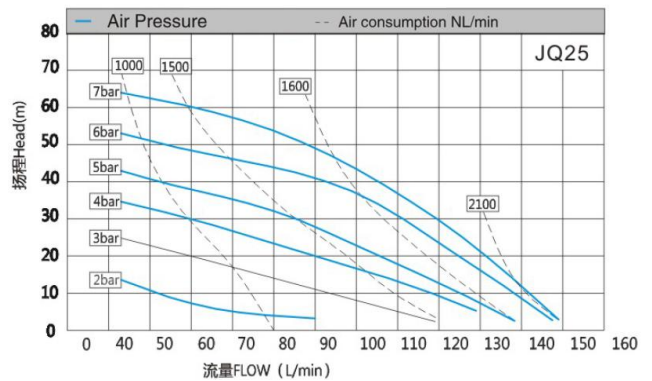
JQ25 Metal Pump (AL SST)



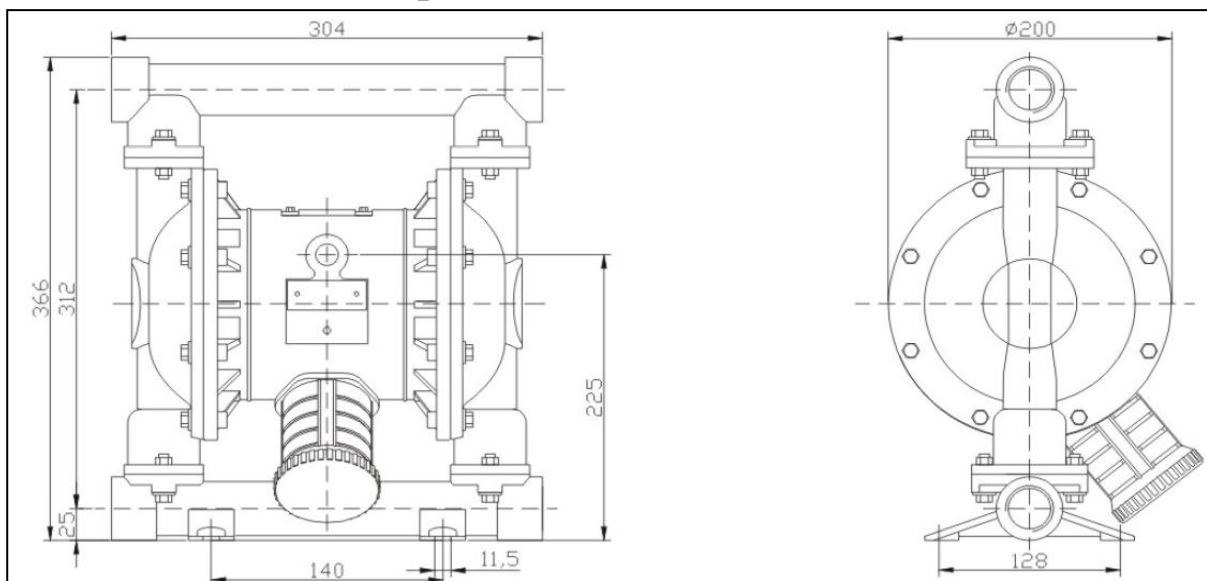
Technical Parameters

max. working pressure	100psi(0.7Mpa.7bar)
max.flow rate	150 lpm (9 m ³ /h)
max.suction height	5 m
max. permiffed grain	4 mm
air inlet size	1/2 in
fluid inlet/outlet size	1in
weight	Aluminum Pump 8.2kg SS Pump 15 kg

Performance Curve



Installation Size Map



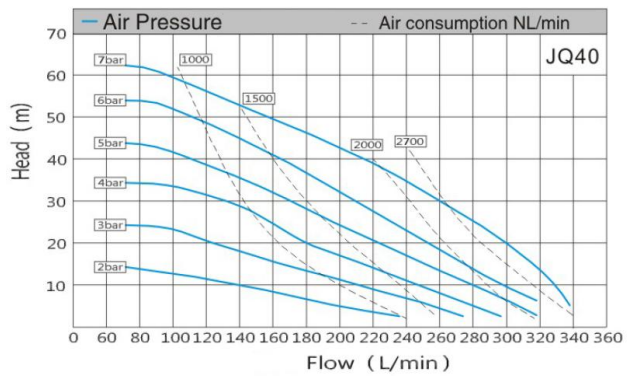
JQ40 Plastic Pump flange connection (PP PVDF)



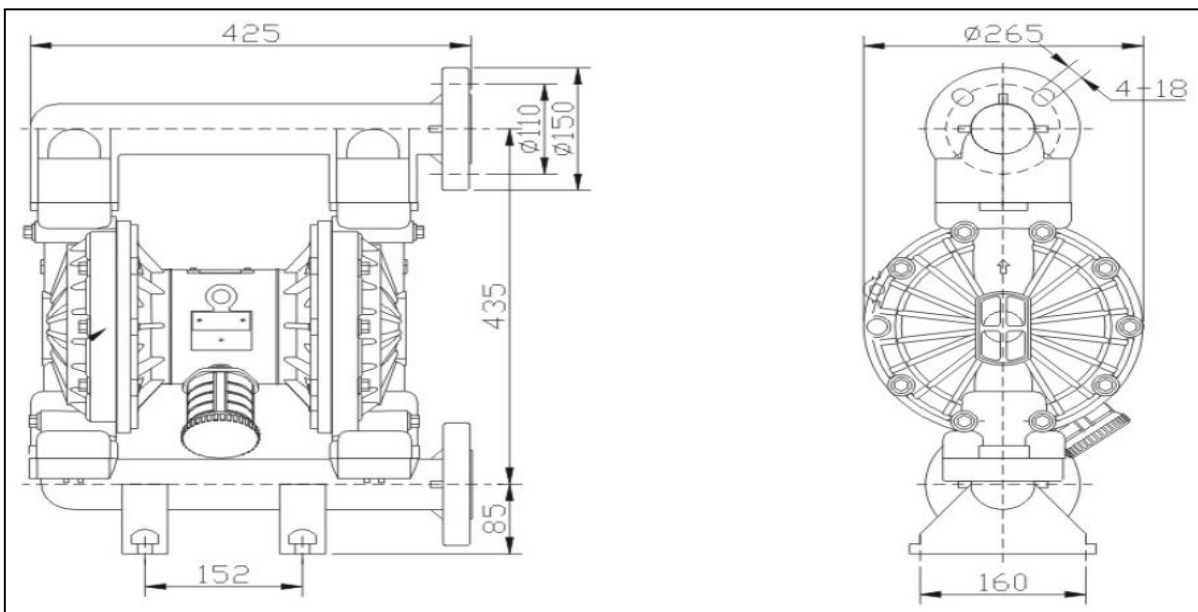
Technical Parameters

max. working pressure	100psi(0.7Mpa.7bar)
max.flow rate	340 lpm (20 m³/h)
max.suction height	5 m
max. permiffed grain	5 mm
air inlet size	1/2 in
fluid inlet/outlet size	1 1/2
weight	PVDF Pump 20 kg PP Pump 16 kg

Performance Curve



Installation Size Map



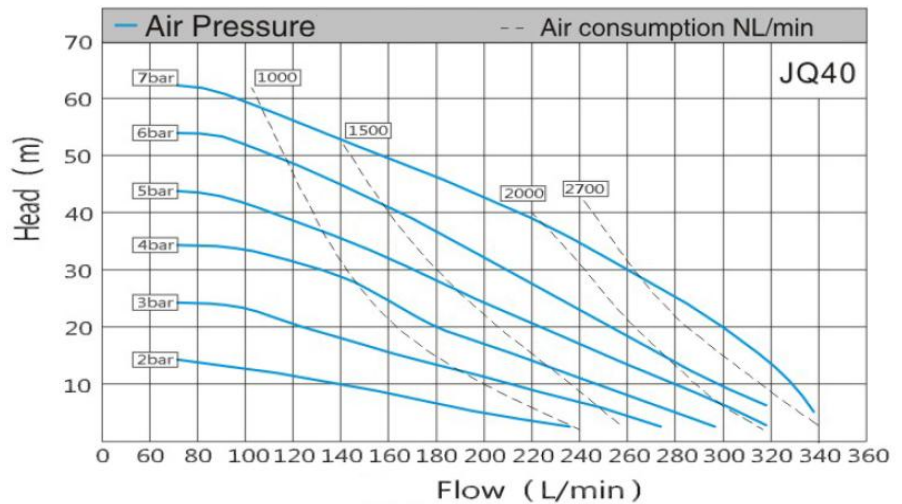
JQ40 Plastic Pump screw connection (PP PVDF)



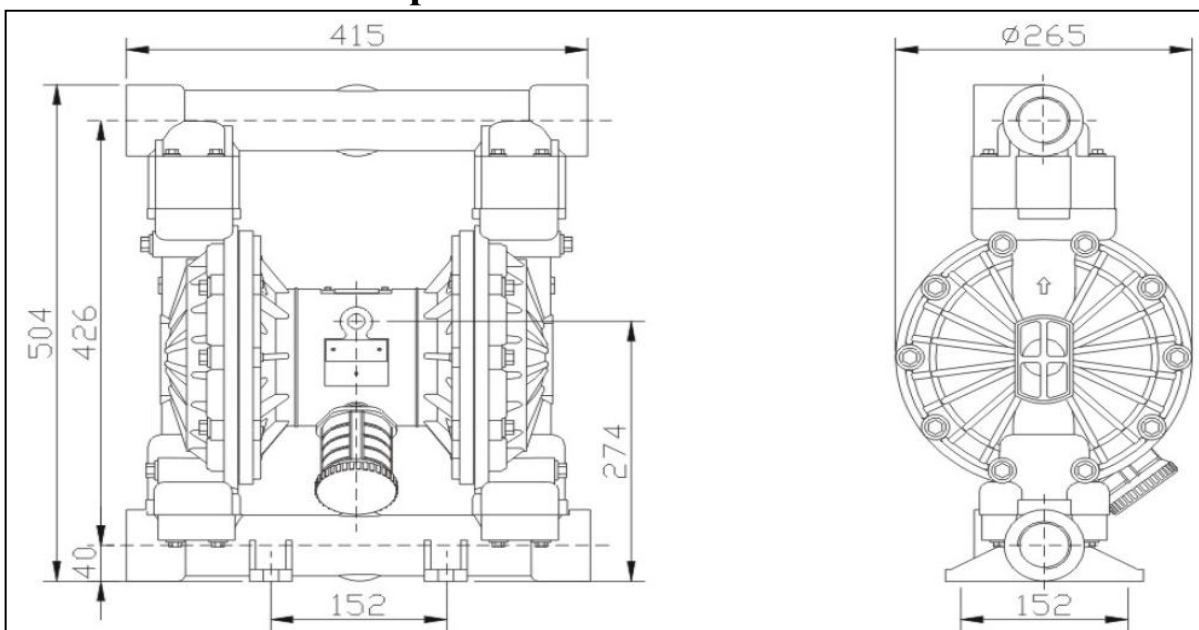
Technical Parameters

max. working pressure	100psi(0.7Mpa.7bar)
max.flow rate	340lpm (20 m³/h)
max.suction height	5 m
max. permiffed grain	5 mm
air inlet size	1/2 in
fluid inlet/outlet size	1 1/2
weight	PVDF Pump 20 kg PP Pump 16 kg

Performance Curve



Installation Size Map



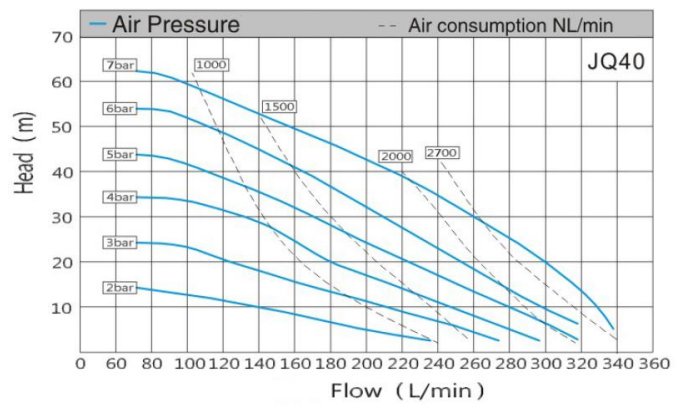
JQ40 Metal Pump (AL Iron SST)



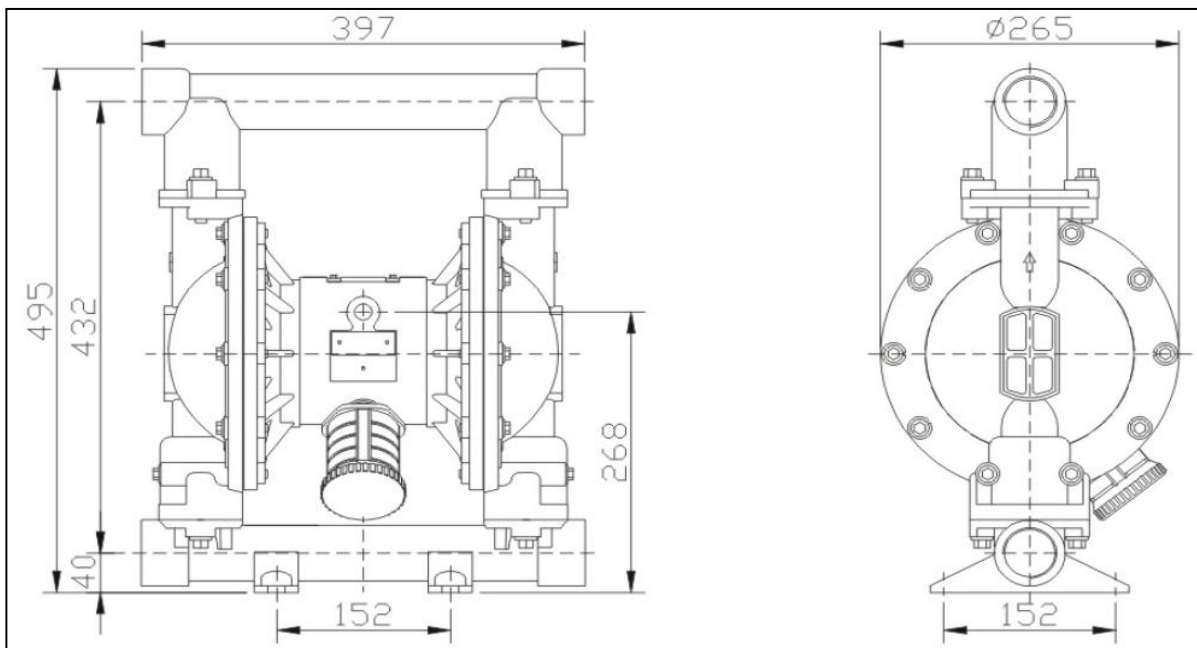
Technical Parameters

max. working pressure	100psi(0.7Mpa.7bar)
max.flow rate	340lpm (20 m ³ /h)
max.suction height	5 m
max. permiffed grain	5 mm
air inlet size	1/2 in
fluid inlet/outlet size	1 1/2
weight	Aluminum Pump 16 kg SS Pump 29 kg

Performance Curve



Installation Size Map



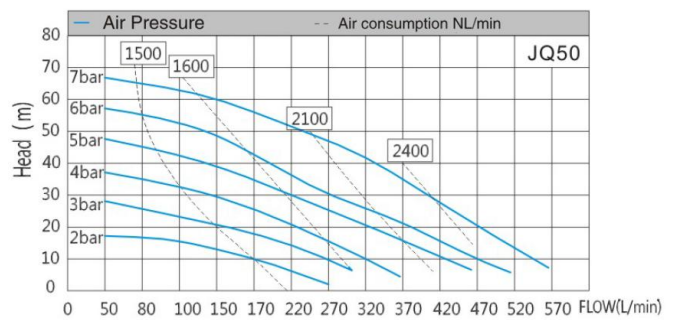
JQ50 Plastic Pump flange connection (PP PVDF)



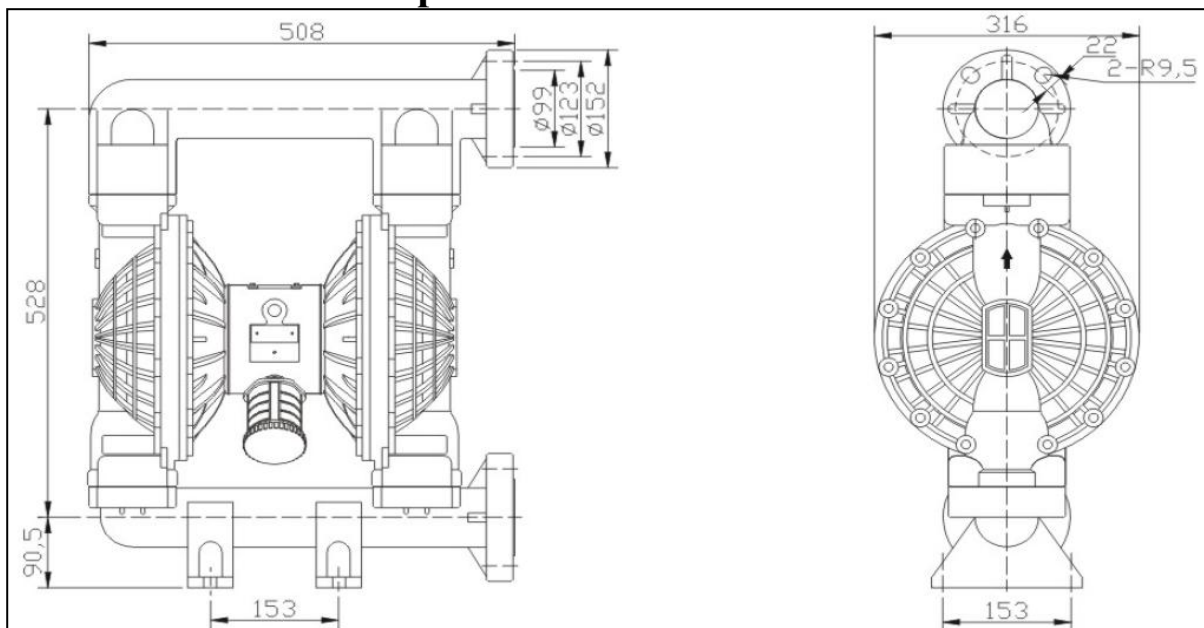
Technical Parameters

max. working pressure	100psi(0.7Mpa,7bar)
max.flow rate	570lpm (34 m³/h)
max.suction height	5 m
max. permiffed grain	6 mm
air inlet size	3/4 in
fluid inlet/outlet size	2 in
weight	PP Pump 28 kg

Performance Curve



Installation Size Map



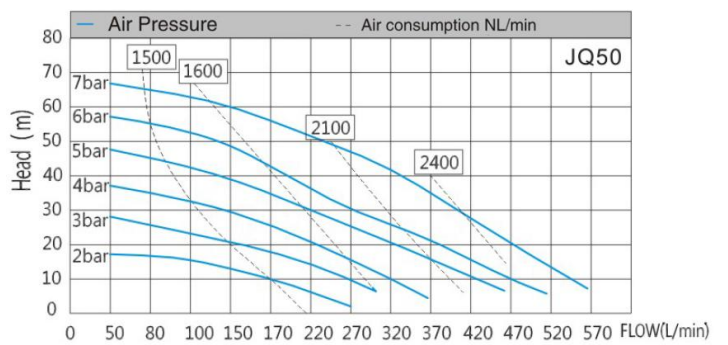
JQ50 Metal Pump (AL Iron SST)



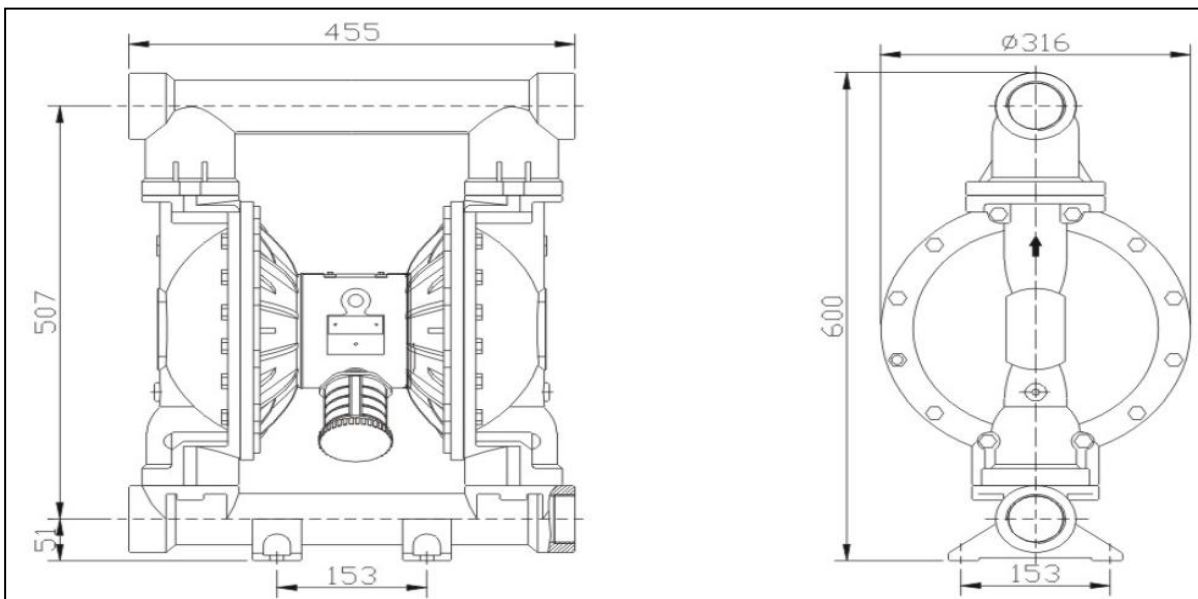
Technical Parameters

max. working pressure	100psi(0.7Mpa,7bar)
max.flow rate	570 lpm (34 m³/h)
max.suction height	5 m
max. permiffed grain	6 mm
air inlet size	1/2 in
fluid inlet/outlet size	2 in
weight	Aluminum Pump 29 kg SS Pump 47 kg

Performance Curve



Installation Size Map



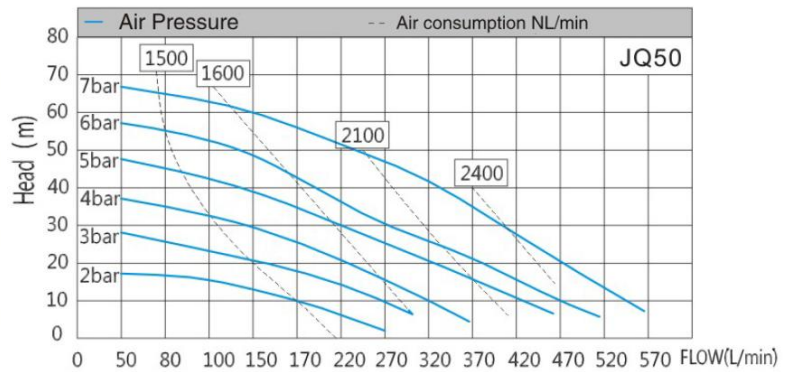
JQ50 Long Metal Pump (AL Iron SST)



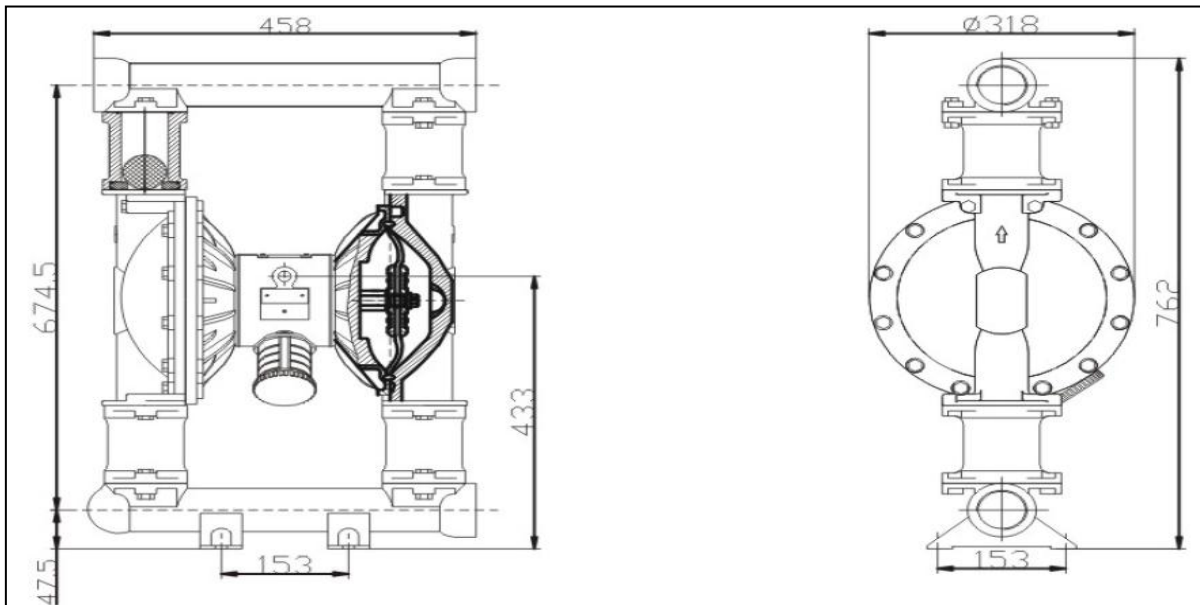
Technical Parameters

max. working pressure	100psi(0.7Mpa,7bar)
max.flow rate	570 lpm (34 m³/h)
max.suction height	5 m
max. permiffed grain	6 mm
air inlet size	1/2 in
fluid inlet/outlet size	2 in
weight	Aluminum Pump 34 kg SS Pump 53 kg

Performance Curve



Installation Size Map



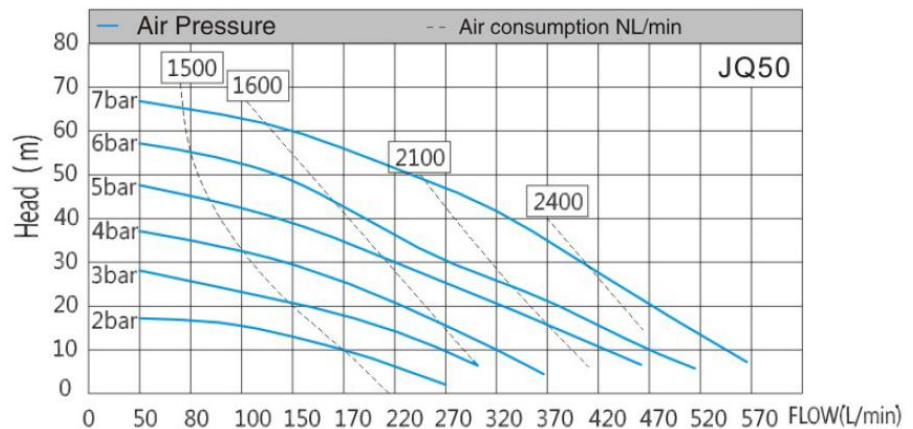
JQ50 Metal Pump (AL SST)



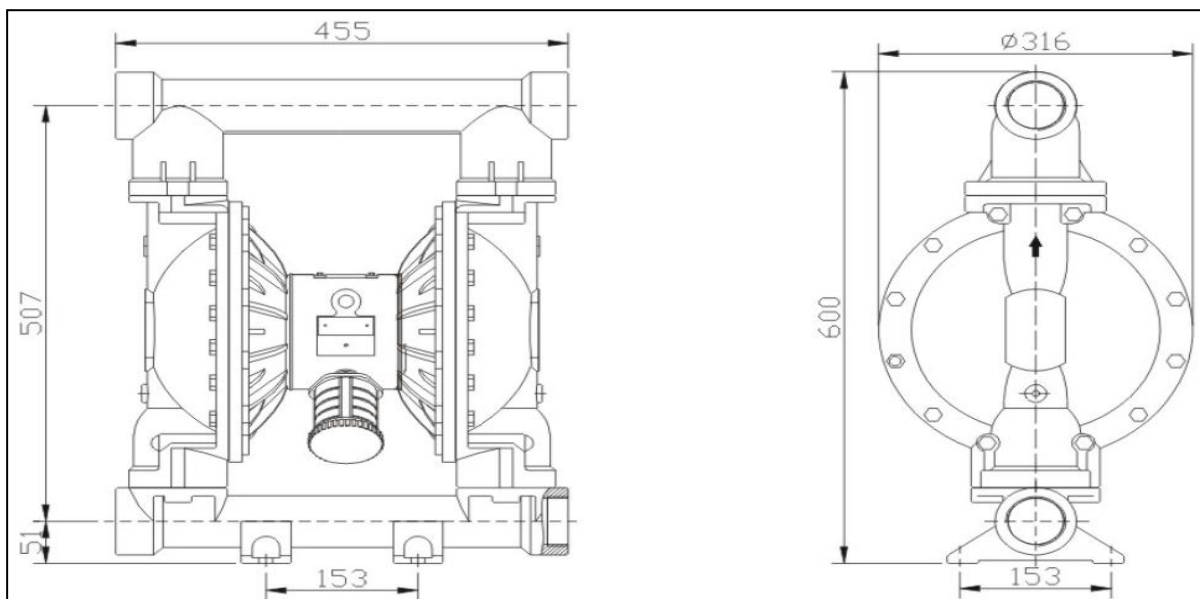
Technical Parameters

max. working pressure	100psi(0.7Mpa.7bar)	
max.flow rate	570 lpm (34 m³/h)	
max.suction height	5 m	
max. permiffed grain	6 mm	
air inlet size	1/2 in	
fluid inlet/outlet size	2 in	
weight	Aluminum Pump 29 kg	SS Pump 47 kg

Performance Curve



Installation Size Map



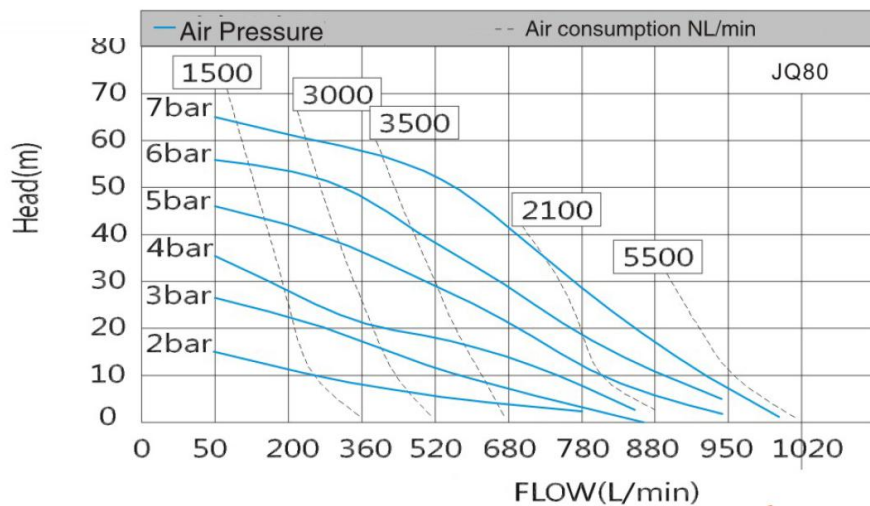
JQ80 Pleastic Pump (PP PVDF)



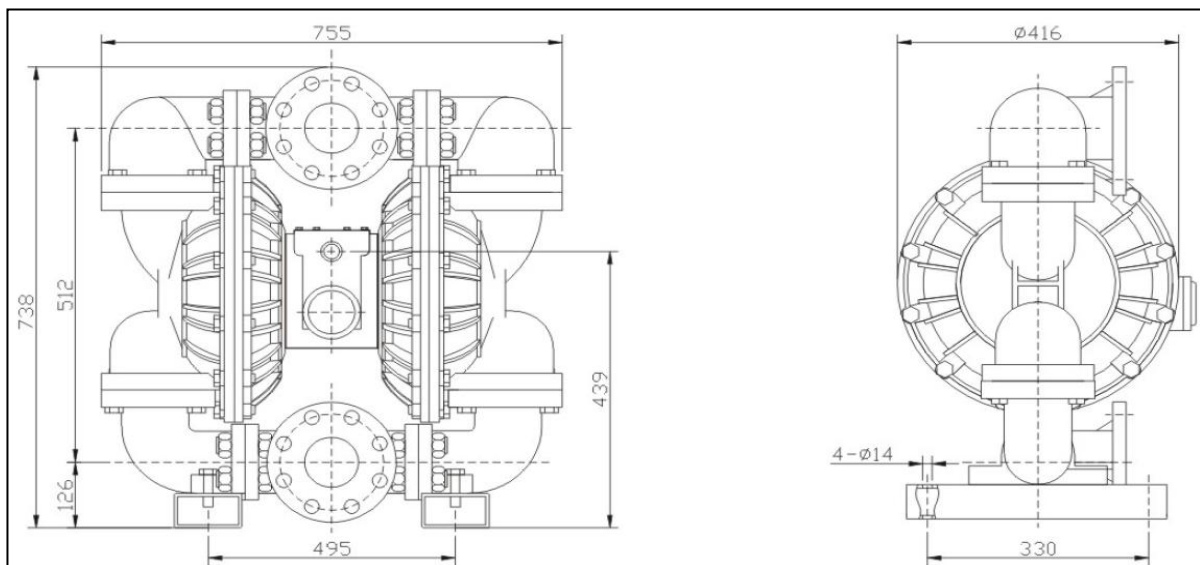
Technical Parameters

max. working pressure	100psi(0.7Mpa.7bar)
max.flow rate	1020 lpm (60 m ³ /h)
max.suction height	5 m
max. permiffed grain	10mm
air inlet size	3/4 in
fluid inlet/outlet size	3 in
weight	PP Pump 66 kg

Performance Curve



Installation Size Map



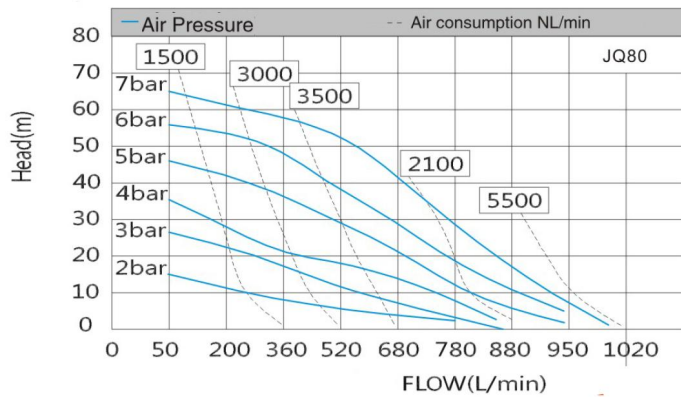
JQ80 Metal Pump (AL Iron SST)



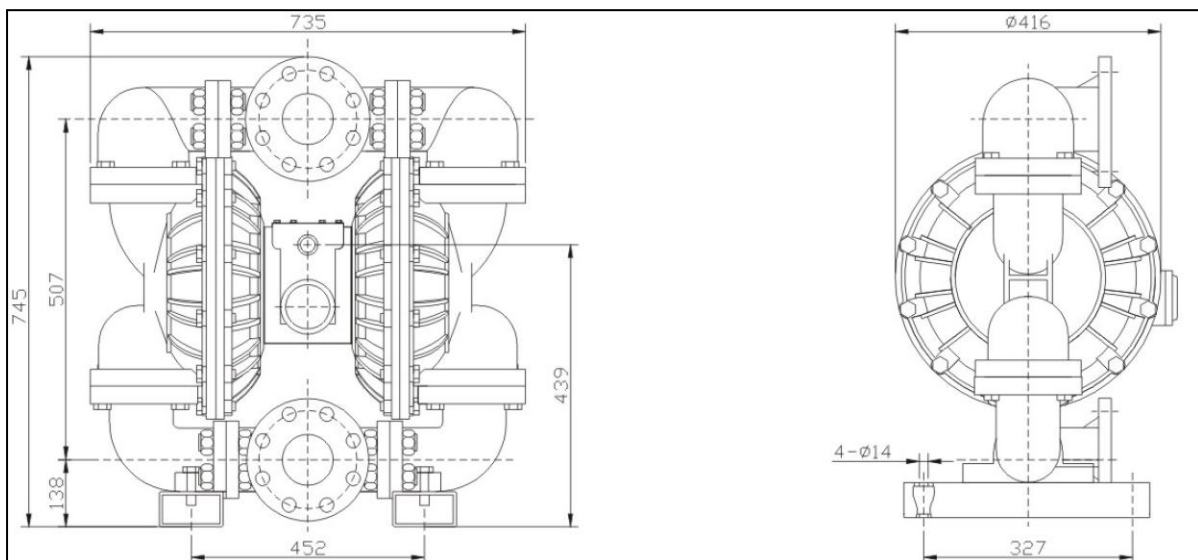
Technical Parameters

max. working pressure	100psi(0.7Mpa.7bar)
max.flow rate	1020 lpm (60 m³/h)
max.suction height	5 m
max. permiffed grain	10mm
air inlet size	3/4 in
fluid inlet/outlet size	3 in
weight	Aluminum Pump 75 kg SS Pump 110 kg

Performance Curve



Installation Size Map





ZHEJIANG LIGAO PUMP TECHNOLOGY CO.,LTD

